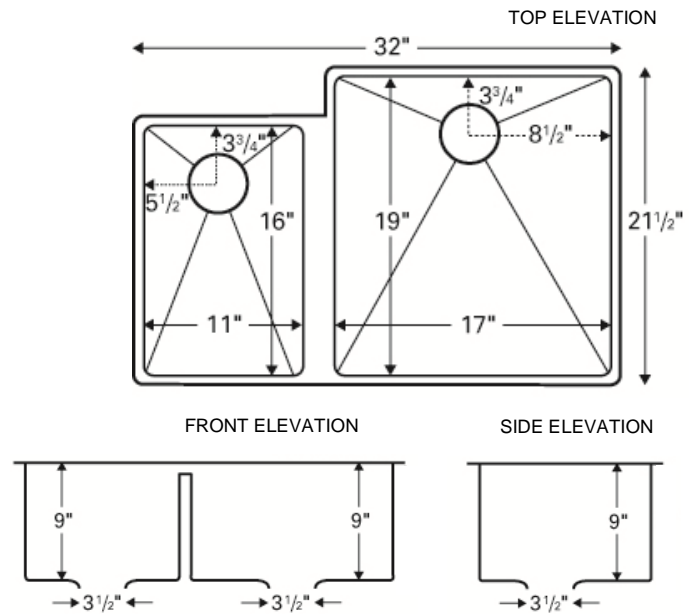
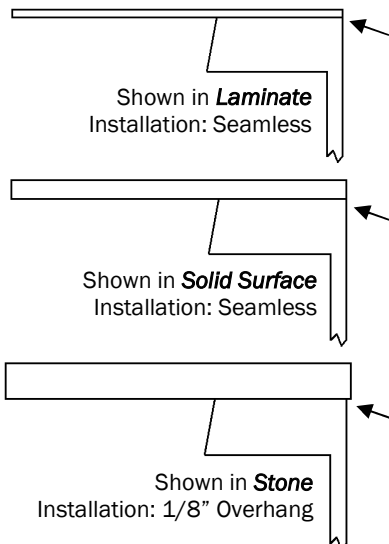


## Features and Specifications:

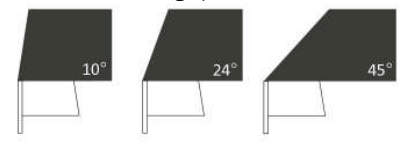
- Large/small bowl kitchen sink
- 32" x 21-1/2" x 9"
- Internal volume – 4,490 cu.in
- Manufactured from 18 gauge, Type 304 stainless steel
- Underside coated with a protective coating and affixed with rubber pads for sound absorption
- 1-1/4" x 3/4" machined, resin matrix rim
- 15mm radius corners
- Sink surface has a brushed satin finish
- Can only be installed in new countertops, not existing countertops with existing sink cutout
- Undermount installation required. May not be top mounted
- This sink may be bonded seamlessly in solid surface and laminate
- This sink may be undermounted to all stone products. 1/8" overhang recommended
- Supplied without mounting adhesive, clips or template
- Digital templates for CNC machines are available at [www.karran.com](http://www.karran.com)
- Strainer baskets shown not included with sink
- Reverse model: E-560R



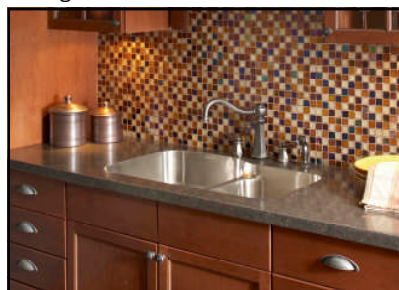
ALL DIMENSIONS ACCURATE TO 1/4"



Recommended edge profiles in solid surface



Edge Series Sink Installed in Laminate



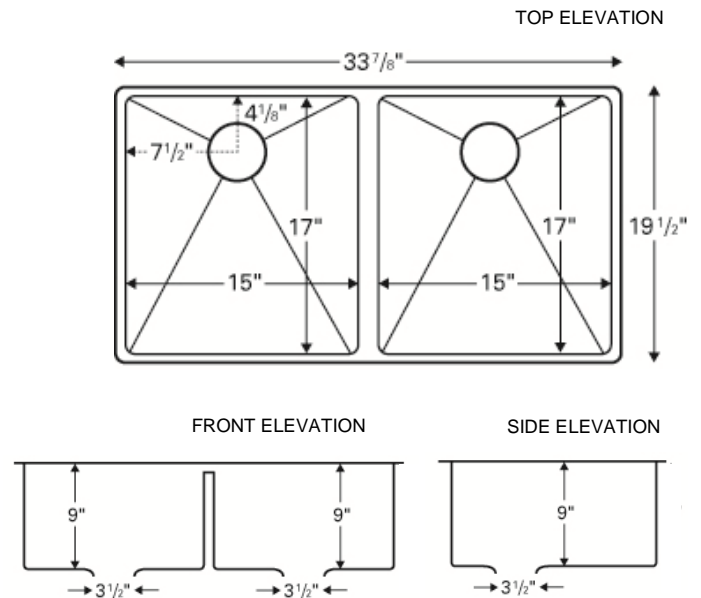
Edge Series Sink Installed in Solid Surface



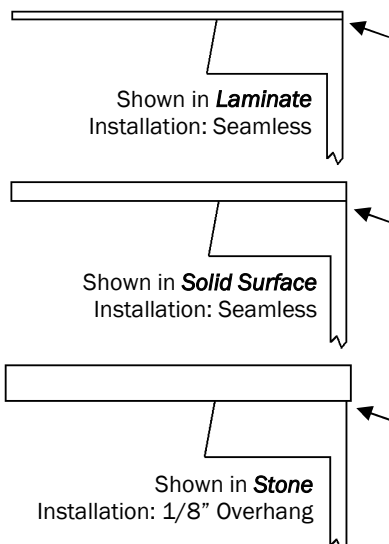
Karran, your source for seamless integration

## Features and Specifications:

- Double equal bowl kitchen sink
- 33-7/8" x 19-1/2" x 9"
- Internal volume – 4,590 cu.in
- Manufactured from 18 gauge, Type 304 stainless steel
- Underside coated with a protective coating and affixed with rubber pads for sound absorption
- 1-1/4" x 3/4" machined, resin matrix rim
- 15mm radius corners
- Sink surface has a brushed satin finish
- Can only be installed in new countertops, not existing countertops with existing sink cutout
- Undermount installation required. May not be top mounted
- This sink may be bonded seamlessly in solid surface and laminate
- This sink may be undermounted to all stone products. 1/8" overhang recommended
- Supplied without mounting adhesive, clips or template
- Digital templates for CNC machines are available at [www.karran.com](http://www.karran.com)
- Strainer baskets shown not included with sink



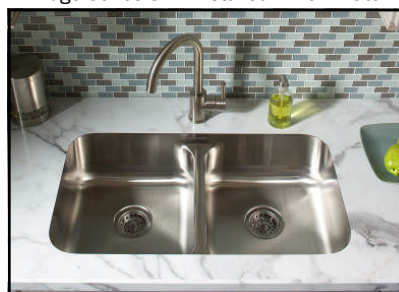
ALL DIMENSIONS ACCURATE TO 1/4"



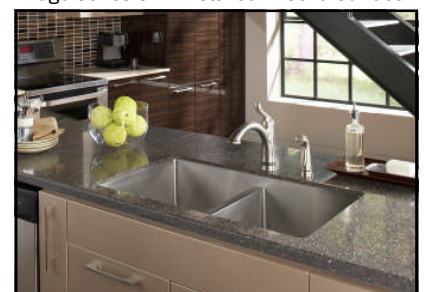
Recommended edge profiles in solid surface



Edge Series Sink Installed in Laminate



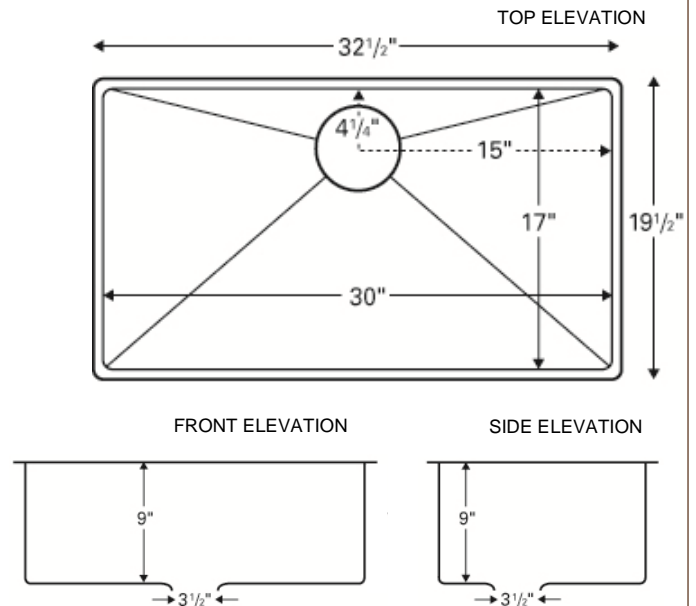
Edge Series Sink Installed in Solid Surface



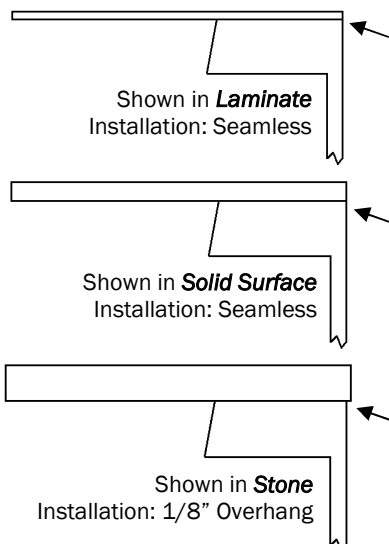
Karran, your source for seamless integration

## Features and Specifications:

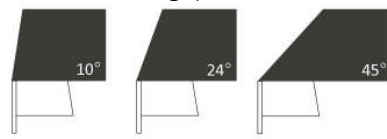
- Extra-large single bowl kitchen sink
- 32-1/2" x 19-1/2" x 9"
- Internal volume – 4,590 cu.in.
- Manufactured from 18 gauge, Type 304 stainless steel
- Underside coated with a protective coating and affixed with rubber pads for sound absorption
- 1-1/4" x 3/4" machined, resin matrix rim
- 15mm radius corners
- Sink surface has a brushed satin finish
- Can only be installed in new countertops, not existing countertops with existing sink cutout
- Undermount installation required. May not be top mounted
- This sink may be bonded seamlessly in solid surface and laminate
- This sink may be undermounted to all stone products. 1/8" overhang recommended
- Supplied without mounting adhesive, clips or template
- Digital templates for CNC machines are available at [www.karran.com](http://www.karran.com)
- Strainer basket shown not included with sink



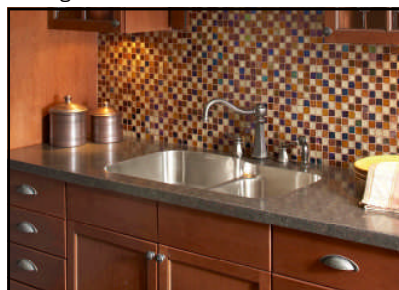
ALL DIMENSIONS ACCURATE TO 1/4"



Recommended edge profiles in solid surface



Edge Series Sink Installed in Laminate



Edge Series Sink Installed in Solid Surface

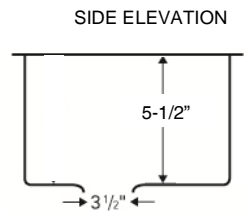
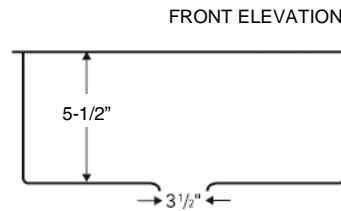
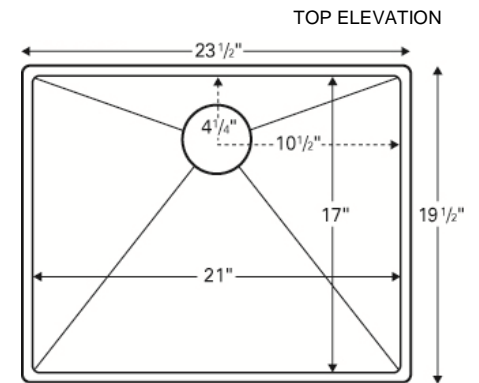


Karran, your source for seamless integration

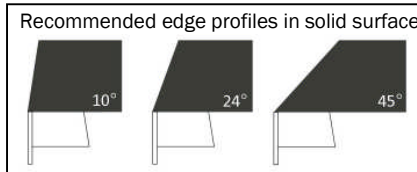
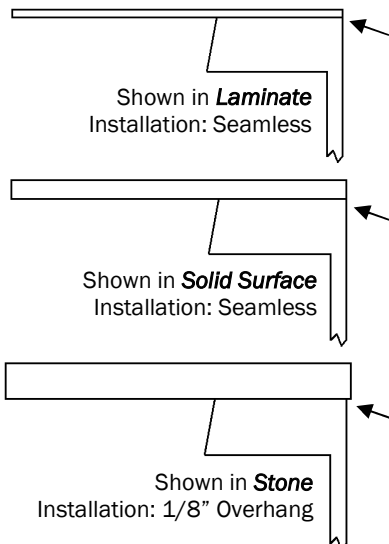
### Features and Specifications:

- Single bowl kitchen sink
- 23-1/2" x 19-1/2" x 5-1/2"
- Internal volume – 1,960 cu.in. Internal area – 355 sq.in.
- Manufactured from 18 gauge, Type 304 stainless steel
- Underside coated with a protective coating and affixed with rubber pads for sound absorption
- 1-1/4" x 3/4" machined, resin matrix rim
- 15mm radius corners
- Sink surface has a brushed satin finish
- Can only be installed in new countertops, not existing countertops with existing sink cutout
- Undermount installation required. May not be top mounted
- This sink may be bonded seamlessly in solid surface and laminate
- This sink may be undermounted to all stone products. 1/8" overhang recommended
- Supplied without mounting adhesive, clips or template
- Digital templates for CNC machines are available at [www.karran.com](http://www.karran.com)
- Strainer basket shown not included with sink

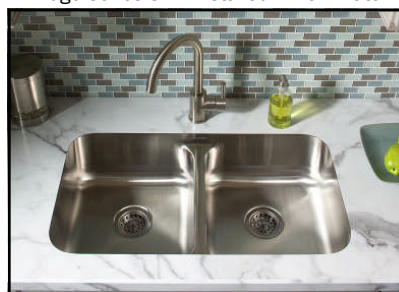
ADA Compliant when installed per Americans with Disabilities Act Accessibility Guidelines, Section 606 Sinks.



ALL DIMENSIONS ACCURATE TO 1/4"



Edge Series Sink Installed in Laminate



Edge Series Sink Installed in Solid Surface

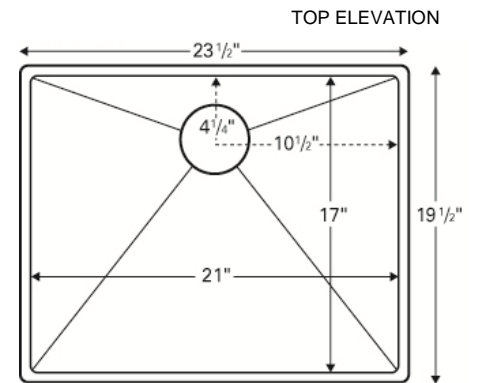


Karran, your source for seamless integration



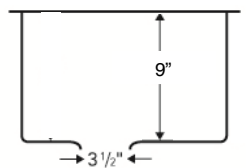
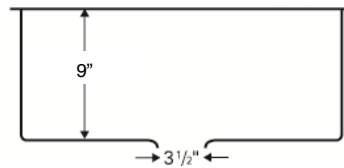
## Features and Specifications:

- Single bowl kitchen sink
- 23-1/2" x 19-1/2" x 9"
- Internal volume – 3,210 cu.in. Internal area – 355 sq.in.
- Manufactured from 18 gauge, Type 304 stainless steel
- Underside coated with a protective coating and affixed with rubber pads for sound absorption
- 1-1/4" x 3/4" machined, resin matrix rim
- 15mm radius corners
- Sink surface has a brushed satin finish
- Can only be installed in new countertops, not existing countertops with existing sink cutout
- Undermount installation required. May not be top mounted
- This sink may be bonded seamlessly in solid surface and laminate
- This sink may be undermounted to all stone products. 1/8" overhang recommended
- Supplied without mounting adhesive, clips or template
- Digital templates for CNC machines are available at [www.karran.com](http://www.karran.com)
- Strainer basket shown not included with sink

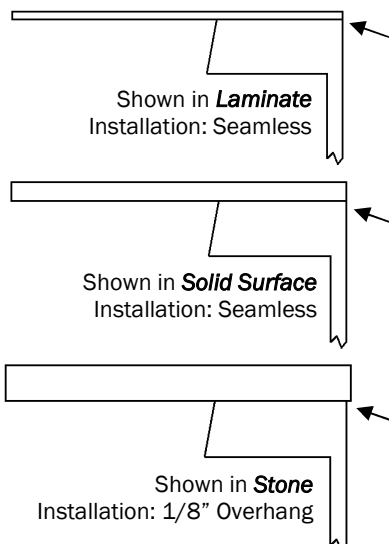


FRONT ELEVATION

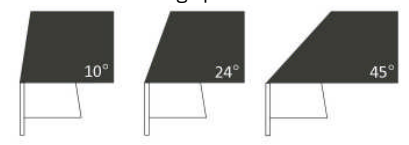
SIDE ELEVATION



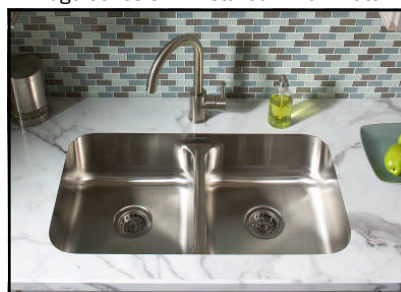
ALL DIMENSIONS ACCURATE TO 1/4"



Recommended edge profiles in solid surface



Edge Series Sink Installed in Laminate



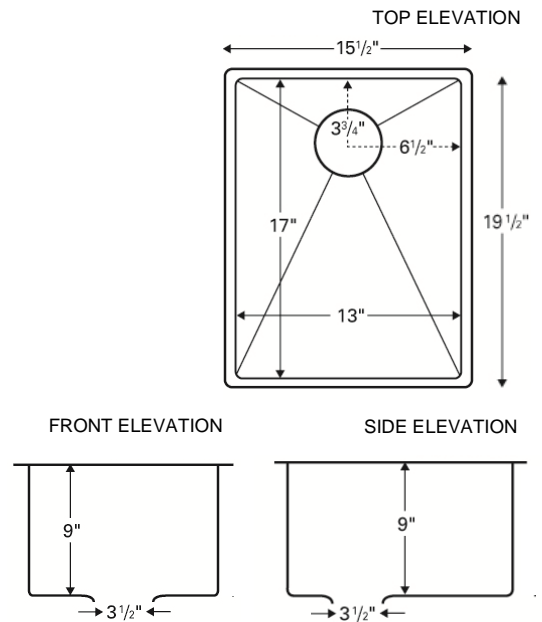
Edge Series Sink Installed in Solid Surface



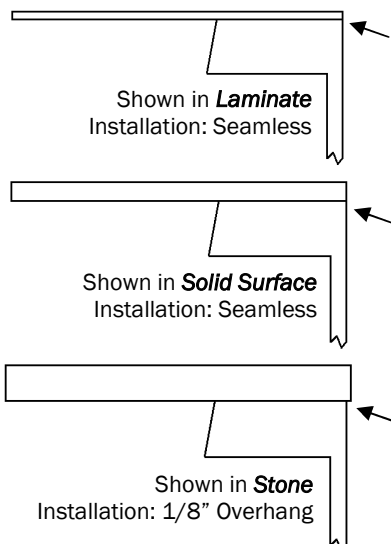
Karran, your source for seamless integration

## Features and Specifications:

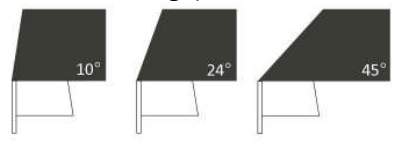
- Bar/prep sink
- 15-1/2" x 19-1/2" x 9"
- Internal volume – 1,990 cu.in. Internal area – 220 sq.in.
- Manufactured from 18 gauge, Type 304 stainless steel
- Underside coated with a protective coating and affixed with rubber pads for sound absorption
- 1-1/4" x 3/4" machined, resin matrix rim
- 15mm radius corners
- Sink surface has a brushed satin finish
- Can only be installed in new countertops, not existing countertops with existing sink cutout
- Undermount installation required. May not be top mounted
- This sink may be bonded seamlessly in solid surface and laminate
- This sink may be undermounted to all stone products. 1/8" overhang recommended
- Supplied without mounting adhesive, clips or template
- Digital templates for CNC machines are available at [www.karran.com](http://www.karran.com)
- Strainer basket shown not included with sink



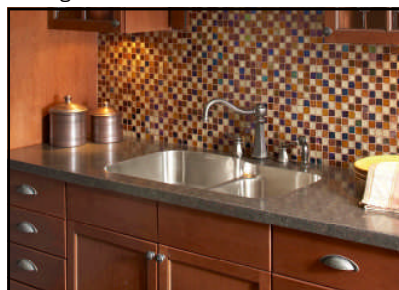
ALL DIMENSIONS ACCURATE TO 1/4"



Recommended edge profiles in solid surface



Edge Series Sink Installed in Laminate



Edge Series Sink Installed in Solid Surface

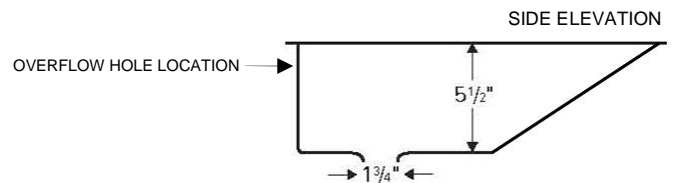
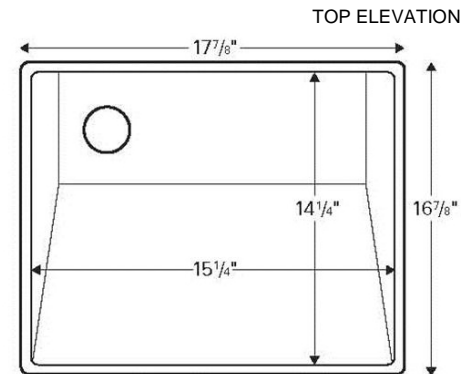


Karran, your source for seamless integration

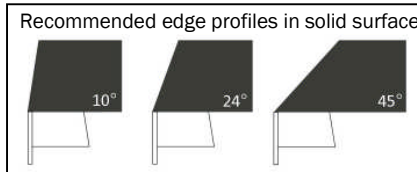
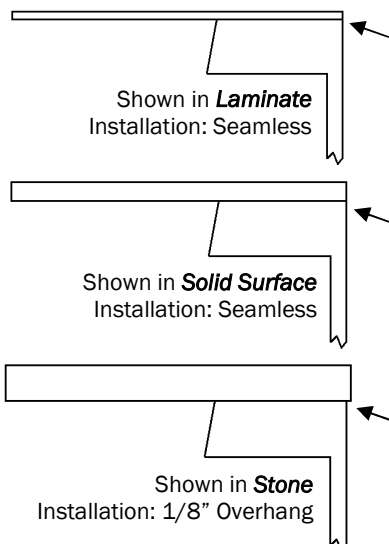
## Features and Specifications:

- Vanity sink
- 17-7/8" x 16-7/8" x 5-1/2"
- Internal volume – 900 cu.in. Internal area – 217 sq.in.
- Manufactured from 18 gauge, Type 304 stainless steel
- Underside coated with a protective coating and affixed with rubber pads for sound absorption
- 1-1/4" x 3/4" machined, resin matrix rim
- 15mm radius corners
- Sink surface has a brushed satin finish
- Can only be installed in new countertops, not existing countertops with existing sink cutout
- Undermount installation required. May not be top mounted
- This sink may be bonded seamlessly in solid surface and laminate
- This sink may be undermounted to all stone products. 1/8" overhang recommended
- Supplied without mounting adhesive, clips or template
- Digital templates for CNC machines are available at [www.karran.com](http://www.karran.com)
- Strainer basket shown not included with sink
- Overflow optional extra. To order a grid strainer with overflow use code DRAIN-GRID-OF. To order a pop-up strainer with overflow use code DRAIN-POP-OF.
- Overflow hole diameter - 7/8". Location of hole - Centered on back wall, 1-3/4" below top of sink wall.

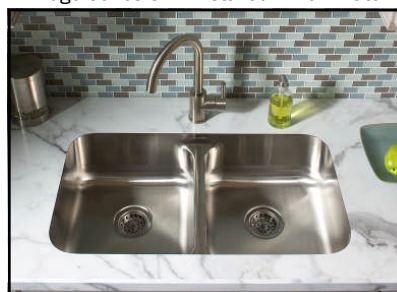
ADA Compliant when installed per Americans with Disabilities Act Accessibility Guidelines, Section 606 Sinks.



ALL DIMENSIONS ACCURATE TO 1/4"



Edge Series Sink Installed in Laminate



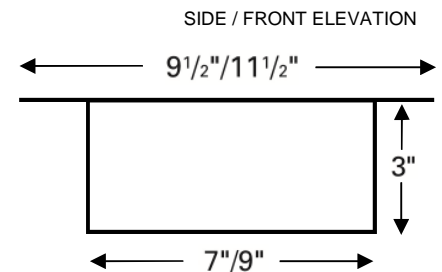
Edge Series Sink Installed in Solid Surface



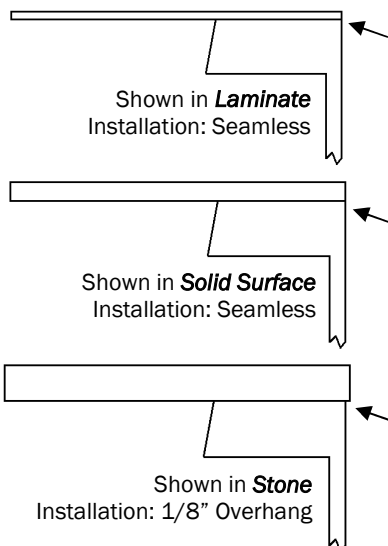
Karran, your source for seamless integration

## Features and Specifications:

- Waste chute
- Manufactured from 18 gauge, Type 304 stainless steel
- 1-1/4" x 3/4" machined, resin matrix rim
- Surface has a brushed satin finish
- Can only be installed in new countertops, not existing countertops
- Undermount installation required. May not be top mounted
- This waste chute may be bonded seamlessly in solid surface and laminate
- This waste chute may be undermounted to all stone products. 1/8" overhang recommended
- Supplied without mounting adhesive, clips or template
- Digital templates for CNC machines are available at [www.karran.com](http://www.karran.com)
- Available in a 7" internal diameter (EW-07) and a 9" internal diameter (EW-09)
- 3" depth



ALL DIMENSIONS ACCURATE TO 1/4"



Recommended edge profiles in solid surface



Waste Chute Installed in Laminate



Waste Chute Installed in Solid Surface



Karran, your source for seamless integration